


Rivnut
Fastening Systems

Product Catalogue

Structural Rivets

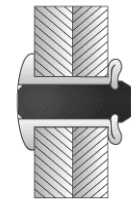
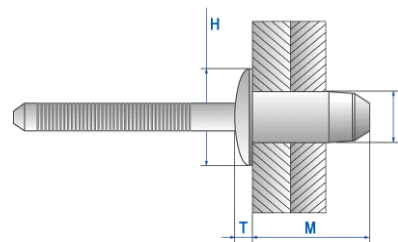
 1300 887 341

 1300 889 341



STRUCTURAL RIVET HEM-FIX

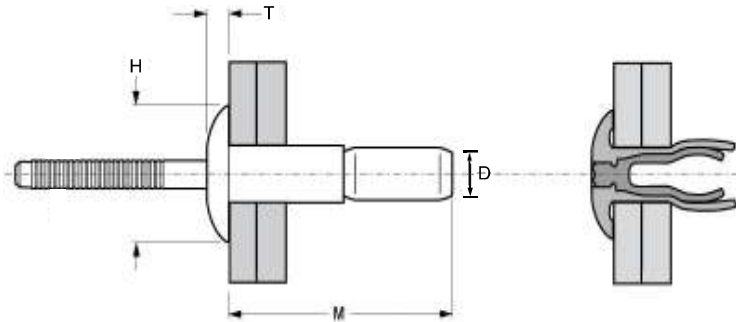
Head Type	Dome Head
Material(Body/Mandrel)	Carbon Steel
Finish(Body/Mandrel)	Zinc Plated



Part Number	Rivet Diameter (D) nom.	Hole Size	Length(M) max.	Grip Range	Head Diameter (H) max.	Head Thickness (T) max.	Standard Strength (kN) typ.	
							Shear	Tensile
SRHS-0811	6.4	6.7~6.9	13.7	1.5~3.5	13.4	2.6	10.5	8.8
SRHS-0812			13.7	1.5~3.5			10.5	8.8
SRHS-0813			15.0	2.8~4.8			12.0	8.8
SRHS-0814			15.6	3.35~5.35			12.5	8.8
SRHS-0815			17.0	4.8~6.8			12.5	8.8
SRHS-0817			19.0	6.8~8.8			14.0	8.8
SRHS-0818			19.7	7.5~9.5			15.0	8.8
SRHS-0819			21.0	8.8~10.8			16.0	8.8
SRHS-0821			23.0	10.8~12.8			16.0	8.8

STRUCTURAL RIVET SRISS SERIES

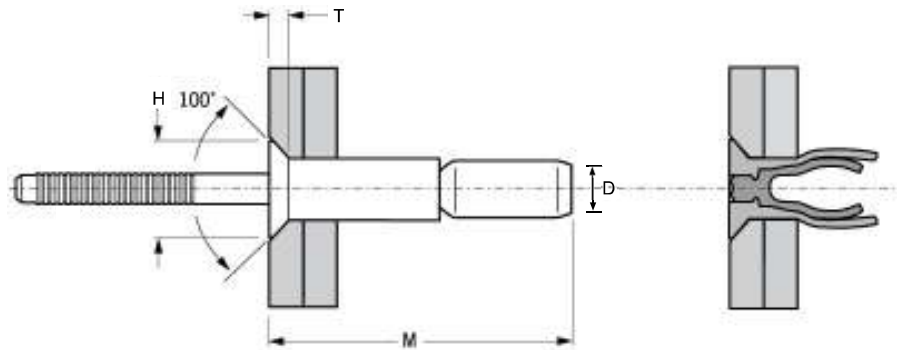
Head Type	Dome Head
Material(Body/Mandrel)	Carbon Steel /Carbon Steel
Finish(Body/Mandrel)	Zinc Plated



Part Number	Rivet Diameter (D) nom.	Hole Size	Length(M) max.	Grip Range	Head Diameter (H) max.	Head Thickness (T) max.	Standard Strength (kN) typ.	
							Shear	Tensile
SRISS-0604	4.8	4.9~5.1	18.2	1.6~6.9	10.1	2.2	5.8	5.3
SRISS-0607			24.6	1.6~11.1				
SRISS-0806	6.4	6.6~6.9	25.3	2.0~9.5	13.4	3.0	11.1	9.8
SRISS-0810			35.6	2.0~15.9				

STRUCTURAL RIVET SRISSC SERIES

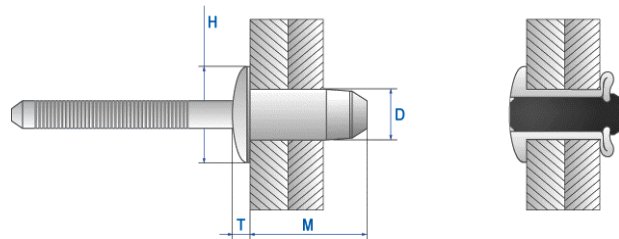
Head Type	COUNTERSUNK HEAD
Material(Body/Mandrel)	Carbon Steel /Carbon Steel
Finish(Body/Mandrel)	Zinc Plated



Part Number	Rivet Diameter (D) nom.	Hole Size	Length(M) max.	Grip Range	Head Diameter (H) max.	Head Thickness (T) max.	Standard Strength (kN) typ.	
							Shear	Tensile
SRC-R6-6	4.8	4.9~5.1	20.0	3.2~8.4	8.8	2.2	5.7	4.4
SRC-R6-10			24.0	7.7~12.7				
SRC-R8-8	6.4	6.6~7.0	27.0	4.1~12.1	10.4	2.4	10.6	8.2
SRC-R8-12			37.0	10.5~18.4				

STRUCTURAL RIVET ALUMINIUM

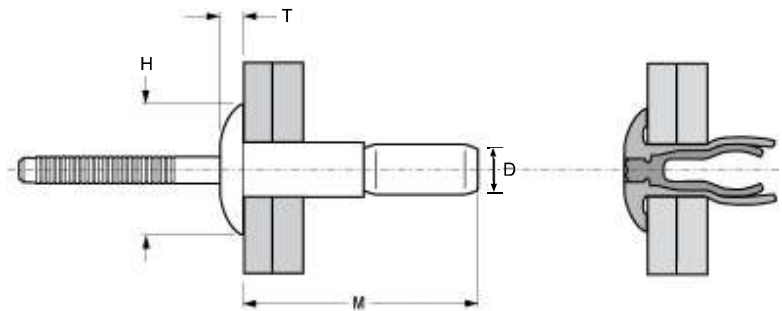
Head Type	Dome Head
Material(Body/Mandrel)	Aluminium / Aluminium
Finish(Body/Mandrel)	Polished /Polished



Part Number	Rivet Diameter (D) nom.	Hole Size	Length(M) max.	Grip Range	Head Diameter (H) max.	Head Thickness (T) max.	Standard Strength (kN) typ.	
							Shear	Tensile
SRHA-0811	6.4	6.7~6.9	13.7	1.5~3.5	13.4	2.6	5.0	2.7
SRHA-0813			15.0	2.8~4.8			6.0	2.7
SRHA-0815			17.0	4.8~6.8			6.5	2.7
SRHA-0817			19.0	6.8~8.8			7.0	2.7
SRHA-0819			21.0	8.8~10.8			7.0	2.7
SRHA-0821			23.0	10.8~12.8			7.0	2.7

STRUCTURAL RIVET SRIAA SERIES

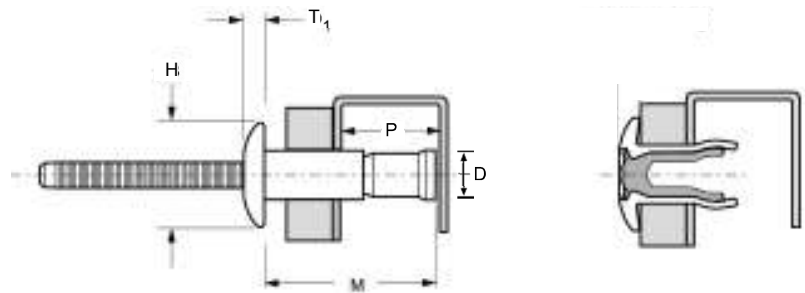
Head Type	Dome Head
Material(Body/Mandrel)	Aluminium / Aluminium
Finish(Body/Mandrel)	Polished /Polished



Part Number	Rivet Diameter (D) nom.	Hole Size	Length(M) max.	Grip Range	Head Diameter (H) max.	Head Thickness (T) max.	Standard Strength (kN) typ.	
							Shear	Tensile
SR1AA-0604	4.8	4.9~5.1	18.2	1.6~6.9	10.1	2.2	5.8	5.3
SR1AA-0607			24.6	1.6~11.1				
SR1AA-0806	6.4	6.6~6.9	25.3	2.0~9.5	13.4	3.0	11.1	9.8
SR1AA-0810			35.6	2.0~15.9				

STRUCTURAL RIVET SRSTST SERIES

Head Type	Dome Head
Material(Body/Mandrel)	Stainless / Stainless
Finish(Body/Mandrel)	Polished / Natural



Part Number	Rivet Diameter (D) nom.	Hole Size	Rear Clearance (P) min.	Length(M) max.	Grip Range	Head Diameter (H) max.	Head Thickness (T) max.	Standard Strength (kN) typ.	
								Shear	Tensile
SRSTST-0613	4.8	4.9~5.1	10.5	18.2	1.6~6.9	10.1	2.1	6.4	5.1
SRSTST-0617			13.5	24.5	1.6~11.1				
SRSTST-0817	6.4	6.6~7.0	12.2	23.7	2.0~9.5	13.4	2.9	11.7	10.4
SRSTST-0824			16.4	33.0	2.0~15.9				

